

THIS DRAWING IS UNPUBLISHED.

RELEASED FOR PUBLICATION SEP ,2005.

© COPYRIGHT 2005 BY TYCO ELECTRONICS CORPORATION. ALL RIGHTS RESERVED.

LOC	DIST	REVISIONS					
E	B	P	LTR	DESCRIPTION	DATE	DWN	APVD
		C		ECR-05-011509	21SEP05	JMS	FWK

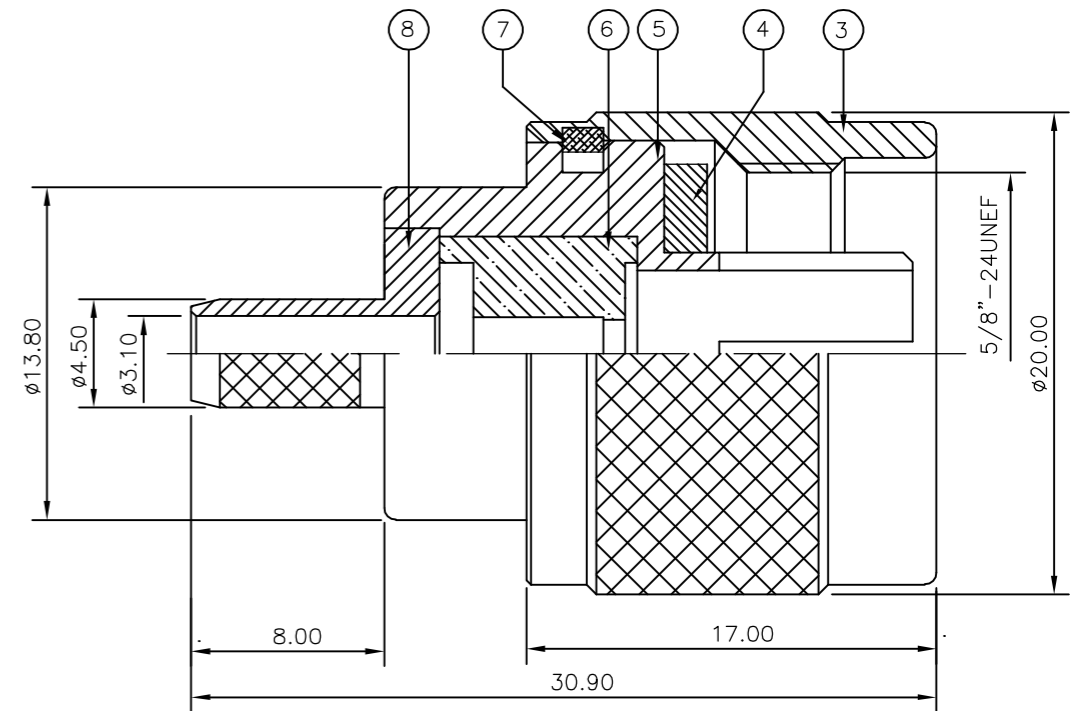
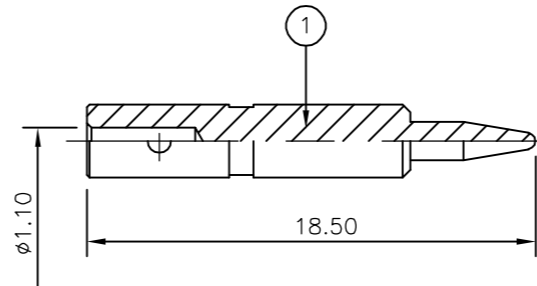
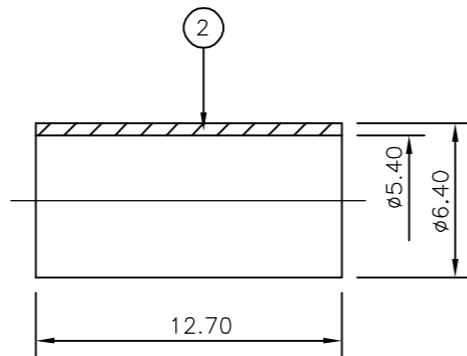
NOTES:

- 1 PACK IN ACCORDANCE WITH AMP SPEC 107-3275
- 2 100 TRAY PACK IN ACCORDANCE WITH AMP SPEC 107-3275
- 3 Ag PLATING
- 4 THIS ITEM MUST BE WHITE
- 5. HAND TOOL: 9-1478240-0
- 6. DIE SET: 9-1478242-0
- 7. ELECTRICAL CHARACTERISTICS

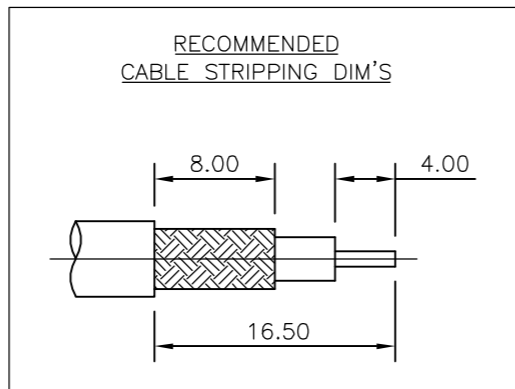
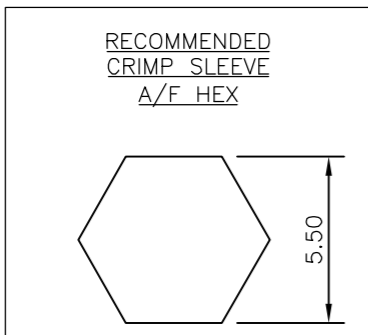
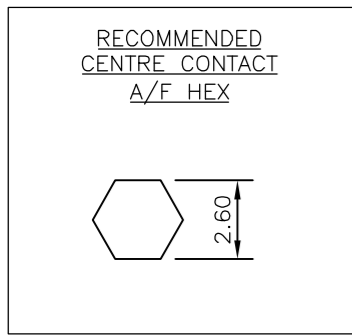
FREQUENCY RANGE:	DC - 11 GHz
NOMINAL IMPEDANCE:	50 Ohm
INSULATION RESISTANCE:	5000 MOhm
WORKING VOLTAGE:	1000 Volts RMS at Sea Level
DIELECTRIC WITHSTAND VOLTAGE:	2500 Volts RMS Max
CONTACT RESISTANCE:	
CENTRE CONTACT:	1.00 mOhm Max
OUTER CONTACT:	1.00 mOhm Max
VSWR @ 4GHz:	1.30:1 Max
INSERTION LOSS dB @ x 4 GHz:	0.30 Max
- 8. MECHANICAL CHARACTERISTICS

COUPLING NUT RETENTION FORCE:	445N Min
CABLE RETENTION FORCE:	170N Min
DURABILITY:	500 Cycles Min
- 9. ENVIRONMENTAL CHARACTERISTICS

OPERATING TEMPERATURE:	-65 to +165 DegC
------------------------	------------------



QTY	REV	MATERIAL	DESCRIPTION	ITEM	
1	1	BRASS	CHASSIS	8	
1	1	BRASS	CIRCLIP	7	
1	1	PTFE	INSULATION	6	
1	1	BRASS	BODY	5	
1	1	SILICON RUBBER	GASKET	4	
1	1	BRASS	SHELL	3	
1	1	BRASS	FERRULE	2	
1	1	BRASS	CONTACT	1	
6--0	1--0		MATERIAL	DESCRIPTION	ITEM



THIS DRAWING IS A CONTROLLED DOCUMENT.	
DIMENSIONS: mm	TOLERANCES UNLESS OTHERWISE SPECIFIED:
	0 PLC ± -
	1 PLC ± -
	2 PLC ± -
	3 PLC ± -
	4 PLC ± -
	ANGLES ± -
MATERIAL SEE TABLE	FINISH SEE TABLE

DWN	J.SANDWELL	21SEP05
CHK	S.PARLOW	21SEP05
APVD	F.WHEELER-KING	21SEP05
PRODUCT SPEC	108-3435	
APPLICATION SPEC	411-3247	
WEIGHT	-	
CUSTOMER DRAWING		

tyco Electronics		Tyco Electronics Corporation Bideford EX39 4HE	
NAME			
TYPE-N STRAIGHT PLUG CRIMP 50 OHM RG58C/U, 141A/U, URM43, 76, Belden 9907, KX15			
SIZE	CAGE CODE	DRAWING NO	RESTRICTED TO
A3	00779	C-1337416	-
SCALE NTS		SHEET 1 OF 1	REV C